

Warnings!

请注意!



The cabinet, chassis or guide rails may cause serious scratches, please be careful while handling.

机柜或者服务器机箱、导轨可能造成划伤!

When installing new servers into the cabinet in use, please be aware of electric shock. 在正在使用的机柜中安装新服务器时, 请谨防触电!



PN

- When installing 4U or bigger servers, at least 4 people are needed.
安装4U或更大的机型时, 至少需要4个人。
- During the installation process, please don't block the vents on the server, especially the vents on the front and rear of the server.
安装时请注意不要阻塞服务器上的通风孔, 尤其是服务器前、后部的通风孔。
- Please remove the protective film on the server surface before using.
请在使用之前将服务器外壳上的保护膜撕去。
- Please leave 15cm minimum of clearance on the front and rear sides of the server for proper ventilation.
服务器的前、后部需至少留出15厘米空间, 以便于系统散热。
- Please install air baffles for the position without device installed, to make sure that the server can get enough air flow, and to avoid air turbulence in the server room.
没有安装设备的机柜位置, 请始终安装挡风盲板, 以确保服务器获得足够的气流, 并避免机房气流紊乱。
- Servers are high-power electrical appliances, and they should be installed into the dedicated cabinets with vents or professional water-cooled cabinets, to prevent system failures caused by overheating.
服务器是高功耗电器, 只能安装在带有通风孔的专用机柜, 或者专业水冷机柜中, 以免过热造成系统失效。
- If it needs to install more than one device, please load from the bottom up, and load the heaviest items first.
如果要安装多台设备, 请先从机柜靠下的空位开始, 并将较重的设备安装在机柜下部。
- Please note the cabinet's bearing capacity, power supply capacity and heat dissipation capacity, be sure not to install devices beyond the cabinet's bearing capacity.
请注意机柜的承重、供电及散热能力, 切勿安装超出机柜承载能力的设备。
- For the convenience of using the front and rear ports of the server and cabling, leave 70mm minimum of clearance between the front end of the server and the inner side of the cabinet's front door, and leave 150mm minimum of clearance between the rear end of the server and the inner side of the cabinet's rear door.
为了便于使用服务器前、后部的接口, 并便于布线, 服务器前部与机柜前门内侧之间至少留出70毫米、后部与机柜后门内侧之间至少留出150毫米距离。



15kg



If the device is more than 15kg, at least 2 people are needed.
安装超过15千克的设备时, 至少需要2个人!



30kg



If the device is more than 30kg, at least 3 people are needed.
安装超过30千克的设备时, 至少需要3个人!



50kg



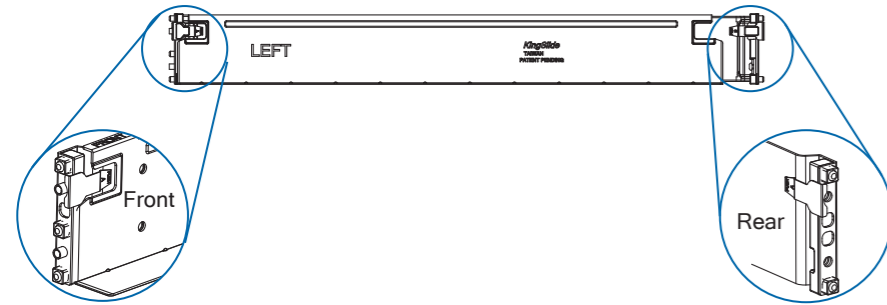
If the device is more than 50kg, at least 4 people are needed.
安装超过50千克的设备时, 至少需要4个人!

Please keep this document for future reference.

请保留本文档, 以便于日后查阅。

Rack-Mounted Server Installation Guide 机架式服务器 上架安装指南 V1.0

Front&Rear End of the Rail 导轨前后端视图



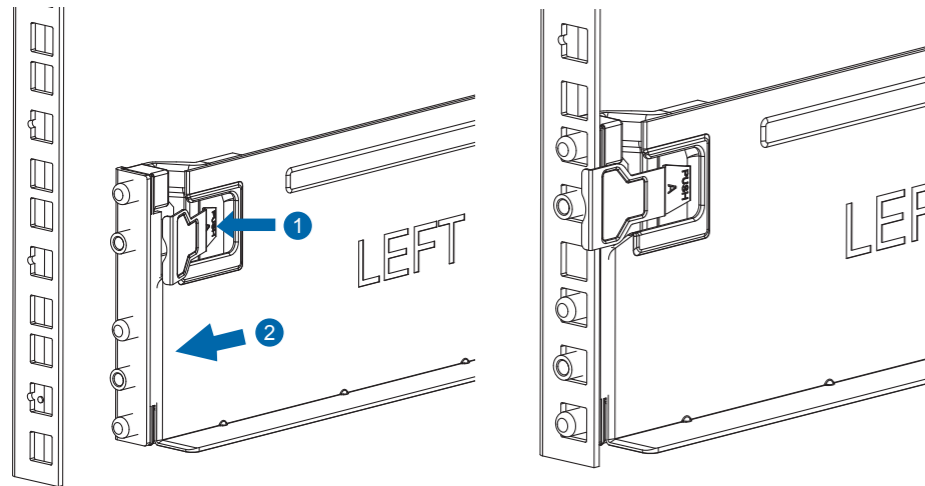
Installing Rails 安装导轨

1 Install the front end of the rail to the rack.

导轨前端安装到机柜

Position the rail on the rack. ① Press the rear of the latch to open it. ② Align the guide pins on the front end of the rail with the rack holes, push the rail in the direction of the arrow, and release the latch to lock it to the rack.

在机柜上确定导轨安装位置后，按照①所示，按压锁扣尾部，使锁扣张开。对准导轨导柱与机柜立柱孔位，按照②箭头方向推入导轨，松开锁扣，使锁扣扣紧在机柜上。

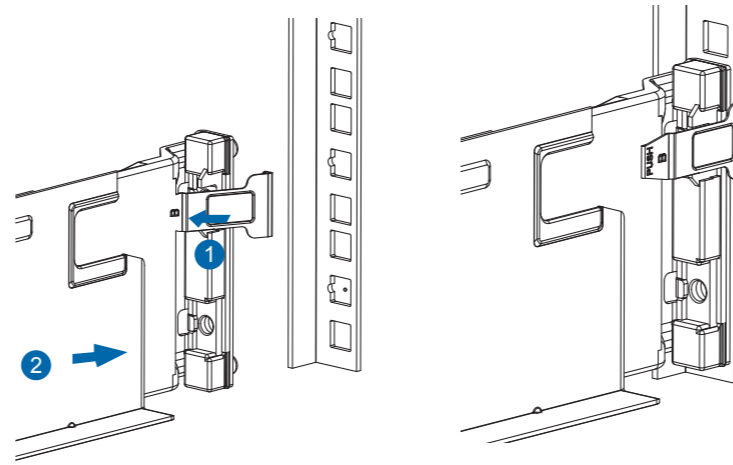


2 Install the rear end of the rail to the cabinet.

导轨后端安装到机柜

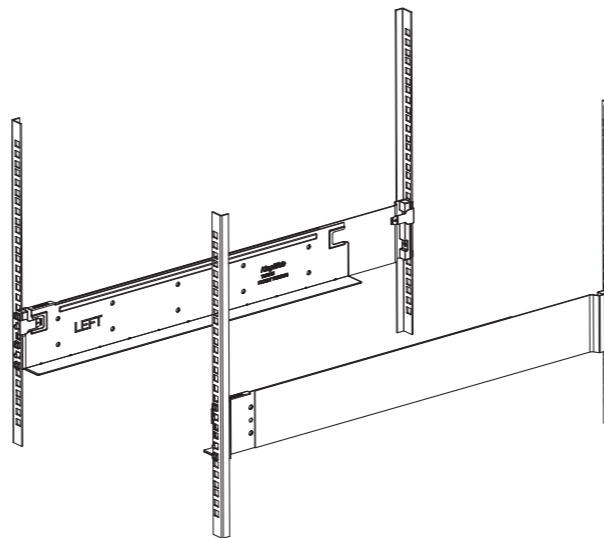
Pull the extended bracket. Keep the front and rear ends on the same level. ① Press the rear of the latch to open it. ② Align the guide pins on the rear end of the rail with the rack holes, push the rail in the direction of the arrow, and release the latch to lock it to the rack.

拉伸延伸架，与导轨前端保持在同一水平方向。按照①所示，按压锁扣尾部，使锁扣张开。对准导轨后端导柱与机柜立柱孔位，按照②箭头方向推入导轨，松开锁扣，使锁扣扣紧在机柜上。



3 Repeat steps 1 and 2 to install the other side.

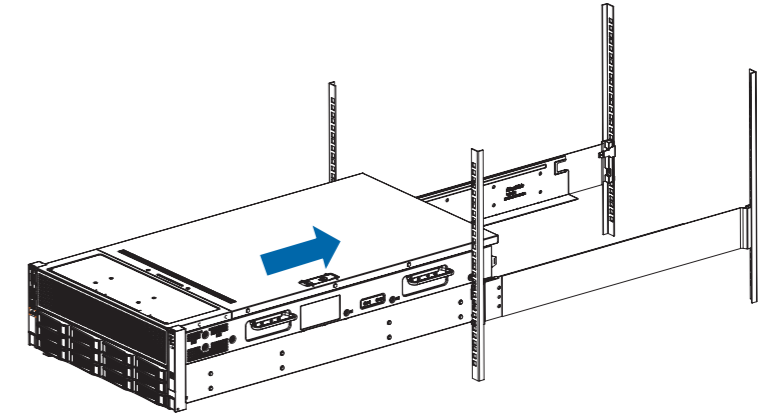
重复1、2动作，完成另一侧导轨安装，效果如下图。



Installing Server 安装服务器

1 Lift the server and place its rear end on the rails first, and then push the server horizontally into the rack from the front end.

抬起服务器先将后端放入导轨上，然后从前端将服务器水平推入导轨，如下图：



2 Locate and tighten the screws (open the small cover first) in the left and right ears of the server.

服务器推入机柜后，将服务器左右耳朵内的螺丝固定（先掰开小盖板，再将里边的螺丝向内拧紧），如下图：

